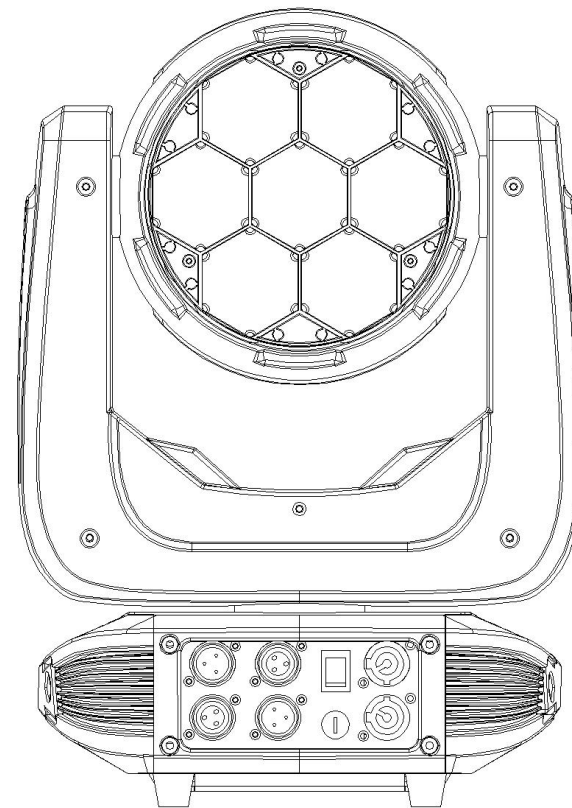


KingWash 7QX

7x40w, Zoom 5-60degree



User manual

Please read the instructions carefully before use

TABLE OF CONTENTS

1. Safety Instructions	2
2. Technical Specifications.....	4
3. How To Control The Unit.....	5
4. shape.....	9
5. Trouble shooting	12
6. Fixture Cleaning	13

statement

The product has well capability and intact packing when leave factory. All of the user should comply with warning item and manual, any misuse cause of the damages are not included in our guarantee, and also can not be responsible for any malfunction & problem owing to ignore the manual.

1. Safety Instructions

Please keep this User Guide for future consultation. If you sell the unit to another user, be sure that they also receive this instruction booklet.

- ☒ Unpack and check carefully there is no transportation damage before using the unit.
- ☒ Before operating, ensure that the voltage and frequency of power supply match the power requirements of the unit.
- ☒ It's important to ground the yellow/green conductor to earth in order to avoid electric shock.
- ☒ The unit is for indoor use only. Use only in a dry location.
- ☒ The unit must be installed in a location with adequate ventilation, at least 50cm from adjacent surfaces. Be sure that no ventilation slots are

blocked.

- ⊠ Disconnect main power before replacement or servicing.

- ⊠ Make sure there are no flammable materials close to the unit while operating as it is fire hazard.
- ⊠ Use safety cable when fixes this unit. DO NOT handle the unit by taking its head only, but always by taking its base.

- ⊠ Maximum ambient temperature is $T_a: 40^{\circ}\text{C}$. DO NOT operate it where the temperature is higher than this Unit surface temperature may reach up to 85°C . DO NOT touch the housing bare-hand during its operation. Turn off the power and allow about 15 minutes for the unit to cool down before replacing or serving.

- ⊠ In the event of serious operating problem, stop using the unit immediately. Never try to repair the unit by yourself. Repairs carried out by unskilled people can lead to damage or malfunction. Please contact the nearest authorized technical assistance center. Always use the same type spare parts.

- ⊠ DO NOT touch any wire during operation as high voltage might be causing electric shock.

Warning:

- ⊠ To prevent or reduce the risk of electrical shock or fire, do not expose the unit to rain or moisture.
- ⊠ DO NOT open the unit within five minutes after switching off.
- ⊠ The housing, the lenses, or the ultraviolet filter must be replaced if they are visibly damaged.

Caution:

There are no user serviceable parts inside the unit. DO NOT open the housing or attempt any repairs yourself. In the unlikely event your unit may require service, please contact your nearest dealer.

Installation:

The unit should be mounted via its screw holes on the bracket. Always ensure that the unit is firmly fixed to avoid vibration and slipping while operating. And make sure that the structure to which you are attaching the unit is secure and is able to support a weight of 10 times of the unit's weight. Also always use a safety cable that can hold 12 times of the weight of the unit when installing the fixture.

The equipment must be fixed by professionals. And it must be fixed at a place where is out of the touch of people.

2. Technical Specifications

The ARTFOX KingWash 7QX features 7x40W RGBW Quad Osram LEDs, It features most power multi-chip quad-color, What's more, It features advanced zoom optical system, which range from 5-60 degrees. To fit with high-end applications, It also features 16 bit Dimming curve, excellent color mixing. Extremely quiet fan design.

Features:

1. Latest Power LED Chip Technology, 40W Each, Long time Lifespan
Advanced Optical Zoom System(5-60degree)
ARTFOX Unique design ,Fast and silent zoom system, Outstanding color macro effect
4.5- pin and 3-pin DMX , Powercon In/Out

Specifications

Source Type: High power 7x30w RGBW 4-in-1 LEDs, 60,000 hours lifetime,
3 selection individual LED controls
Pan: 540° Tilt: 270°

6. Fixture Cleaning

The cleaning of internal and external optical lenses and/or mirrors must be carried out periodically to optimize light output. Cleaning frequency depends on the environment in which the fixture operates: damp, smoky or particularly dirty surrounding can cause greater accumulation of dirt on the unit's optics.

- **Clean with soft cloth using normal glass cleaning fluid.**
- **Always dry the parts carefully.**
- **Clean the external optics at least every 20 days. Clean the internal optics at least every 30/60 days.**

5. Trouble shooting

Following are a few common problems that may occur during operation. Here are some suggestions for easy troubleshooting:

A. The unit does not work, no light and the fan does not work

1. Check the connection of power and main fuse.
2. Measure the mains voltage on the main connector.
3. Check the power on LED.

B. Not responding to DMX controller

1. DMX LED should be on. If not, check DMX connectors, cables to see if link properly.
2. If the DMX LED is on and no response to the channel, check the address settings and DMX polarity.
3. If you have intermittent DMX signal problems, check the pins on connectors or on PCB of the unit or the previous one.
4. Try to use another DMX controller.
5. Check if the DMX cables run near or run alongside to high voltage cables that may cause damage or interference to DMX interface circuit.

C. One of the channels is not working well

1. The stepper motor might be damaged or the cable connected to the PCB is broken.
2. The motor's drive IC on the PCB might be out of condition.

DMX:19/27 chs

CONTROL / CONNECTIONS

DMX Channel Modes (17chs)
Stand-alone mode and Master/Slave modes
4 Button Touch Control Panel
LCD Menu Display
3pin, 5pin DMX In/Out
powerCON In

ELECTRICAL / THERMAL

AC 100-240V - 50/60Hz
300W Max Power Consumption
-13°F to 113°F (-25°C to 45°C)

APPROVALS / RATINGS

FCC | CE | RoHs Compliant | IP20

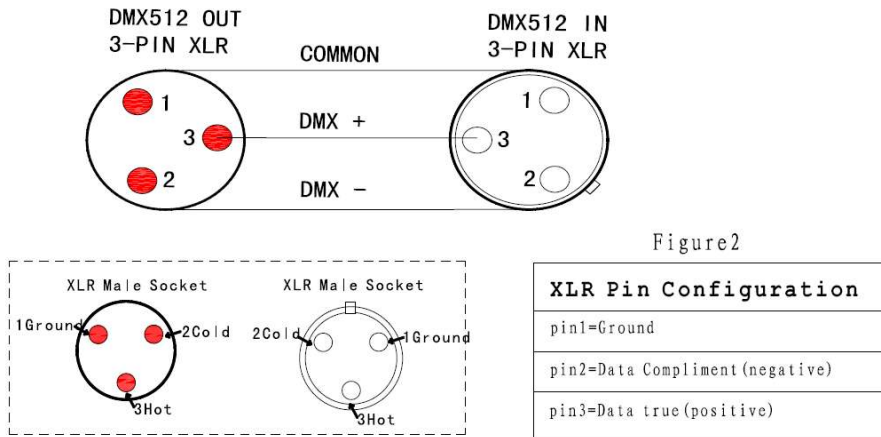
SIZE / WEIGHT:

Length: 10.2" (260mm)
Width: 8.66", (220mm)
Vertical Height:16.8", (430mm)
Weight: 18.3lbs. (8.3 kg)

3. How To Control The Unit

The DMX512 is widely used in intelligent lighting control,with a DMX 512 controller.connect several lights together,dmx in and dmx out,

3 pin XLR connectors: Pin 1: GND, Pin 2: Negative signal (-), Pin 3: Positive signal (+)



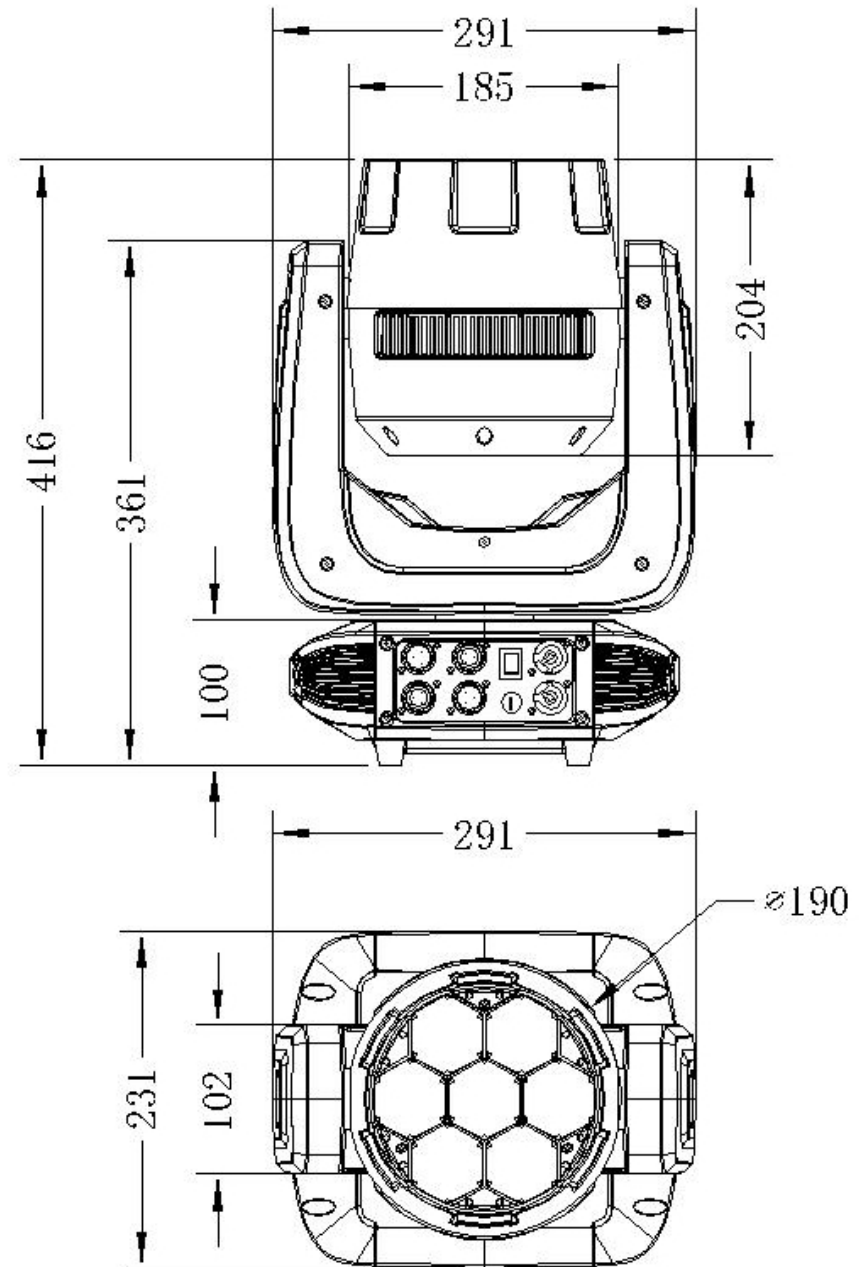
Display:

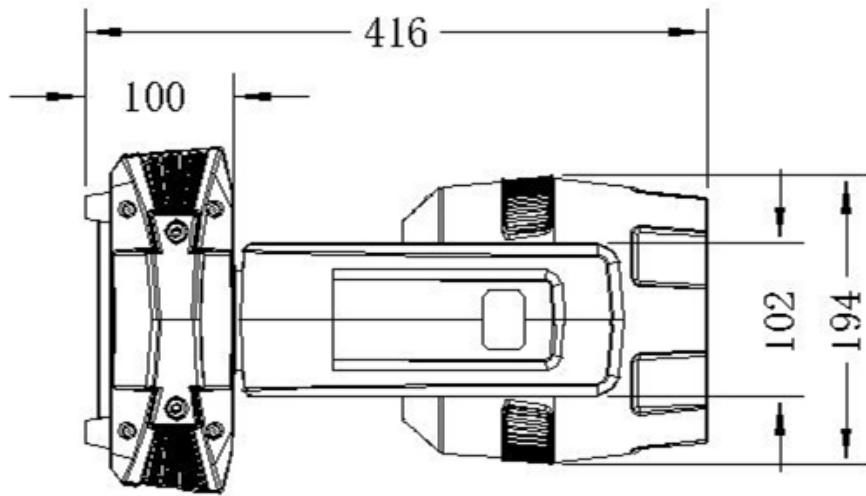
MENU To select the programming functions
 DOWN To go backward in the selected functions
 uP To go forward in the selected functions
 ENTER To confirm the selected functions

Set DMX Address Code

- 1 Press "**Menu**" to "Set DMX Address", and press "**ENTER**" keys to enter into
- 2 Show "Set DMX Address DMX Address:001", Press the "**UP and DOWN**" keys to amended
- 3 Press "**ENTER**" keys to save and Exit, Press the "**MENU**" Keys does not save and Exit

1	Address	Address 001~512	Address setting 001-512
		1.DMX512	Console control
		2.Auto	1.Master
			2.Alone





2	Run Mode	3.Sound	1.Master
			2.Alone
3	Reverse	1.Pan Pan forward or reversed setting	1.Yes
		2.No	2.No
		2.Tilt Tilt forward or reversed setting	1.Yes
		3.Display Display forward or reversed setting	2.No
4	Channel	17 channels	17 channel mode
5	Pan Degree	540	Pan angle 540°/360° Rotation
		360	
6	Mic sense	001-100	Sound sensitivity 001-100
7	Inform	1.CH Value	Each channel show CH value
		2.Temp ____ °C	Show the temperature of led board
		3.Soft V1.0	Show the version number
8	Reset	1.Yes	Reset
		2.No	
9	Default	3.Yes	Factory setting
		4.No	
10	Adjust	Pass word	****
		1.Pan	Pan fine control
		2.Tilt	Tilt fine control

		3.Focus	Zoom fine control
--	--	---------	-------------------

DMX channel's functions and values (17 DMX channels):

17 channel mode:

Channel	Function	Description	Value
Ch 1	pan adjustment	pan adjustment	0---255
Ch 2	Pan fine adjustment	Pan fine adjustment	0---255
Ch 3	Tilt adjustment	Tilt adjustment	0---255
Ch 4	Pan fine adjustment	Pan fine adjustment	0---255
Ch 5	Speed of Pan/Tilt	from fast to slow	0---255
Ch 6	Strobe	No function	0---15
		Strobe (from slow to fast)	16---214
		Random strobe	215---255
Ch 7	Dimmer	from dark to bright	0---255
Ch 8	Dimming mode	mode 1	0---49
		mode 2	50---99
		mode 3	100---149
		mode 4	150---255
Ch 9	Zoom	From near to far	0---255
Ch 10	R	from dark to bright	0---255
Ch 11	G	from dark to bright	0---255
Ch 12	B	from dark to bright	0---255
Ch 13	W	from dark to bright	0---255
Ch 14	Static color	No function	0---16

		Every 16 dmx value each color	17---255
Ch 15	Moving color	No function	0---49
		Skip change	50---99
		Gradual change	100---255
Ch 16	Speed of moving color	from fast to slow	0---255
Ch 17	Reset	no function	0---79
		Reset	80---99
		No function	100---255

4. Shape

